

CC985



Mini Crawler Crane

CC985

Specifications

Capacity	Maximum	4.9t x 2.1m
Working radius	Maximum	14.67 m x 200kg
Lifting height	Maximum	16.5m x 1400kg (20.2m x 430kg with Fly-Jib)
Dimensions	CC985	5190mm x 2320mm x 2730mm
Weight	CC985 Hook block weight	9450kg (9630kg with Fly-Jib) 90kg
Hook speed	Maximum	43m/min (4 layers, 4 falls)
Single line speed	Low speed High speed	120 m/min 176 m/min
Hoist rope	Type	IWRC 6 x Fi (29) Ø 10 mm x 115m
Telescopic system	Boom length Telescoping speed Boom type	4.78m – 15.78m 11m / 25sec. Fully automatic 5 section pentagonal telescopic boom
Boom hoist system	Hoist angle / speed	-2~80deg /14sec
Slew system	Slew angle / speed	360° continuous / 2.0 rpm
Drive	Type Traction Speed Gradability Ground length x width Ground pressure	Independent steering controls, hydraulic piston motor with built-in automatic brake, planet reduction gears, sprocket and crawler Low 0-2.1 km/h High 0-3.1 km/h 20° 2235mm x 400mm (track dimensions) 0.47 kgf / cm ² (0.48 kgf / cm ² with Fly-Jib)
Engine	Model Type Rated output Starting method Fuel tank capacity	ISUZU 4LE2XDPC 4 cylinder diesel, water cooled, direct injection 40.3kW / 2000 rpm Electric Diesel / 140 L
Standard equipment	Moment limiter, steel tracks, overwind protection, load indicator, hydraulic safety valves, wire rope latch, level, EMO switch, LED working status lamp, safety lock lever, working light, hour meter, tilt alarm, slew restriction system, 4-fall / 2-fall hook block, rear view camera, data logger.	
Optional equipment	Fly-Jib Single fall hook Rubber pads (black or white) weight 280kg Spark arrestor Radio remote control	

- 4.9t x 2.1m Max Capacity
- 16.5m Max Lifting Height
- 14.67m x 200kg Max Working Radius



www.kranlyft.com

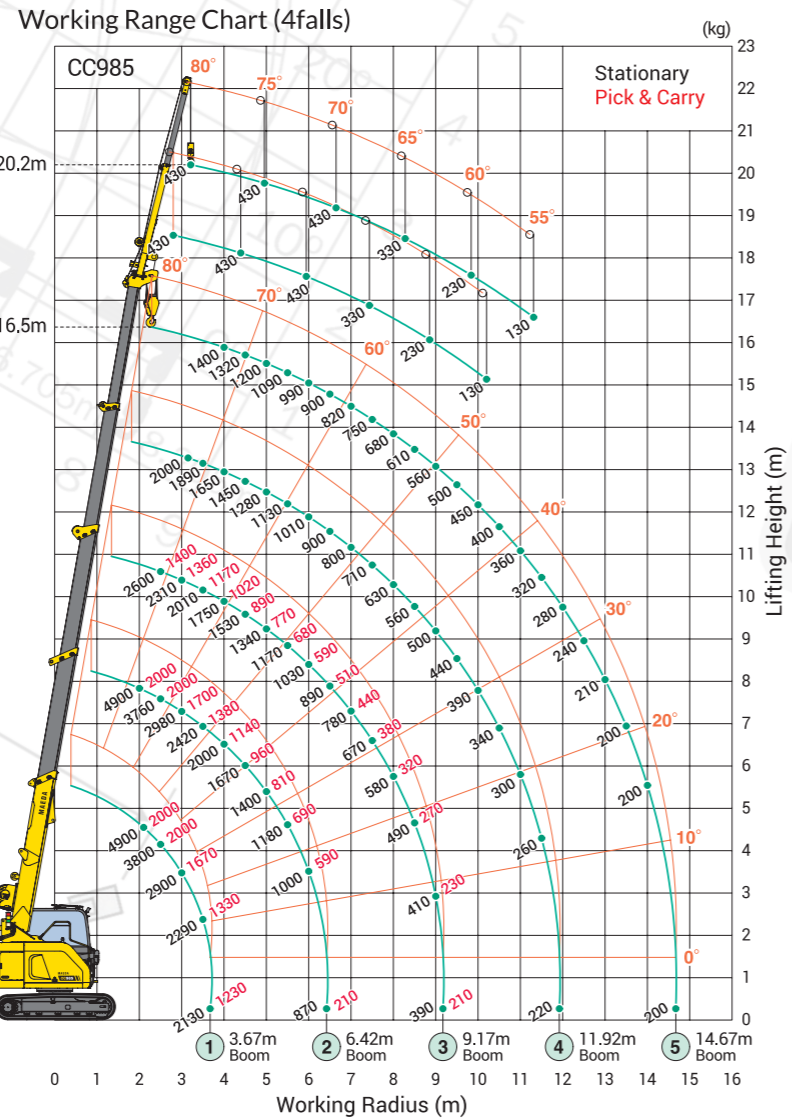
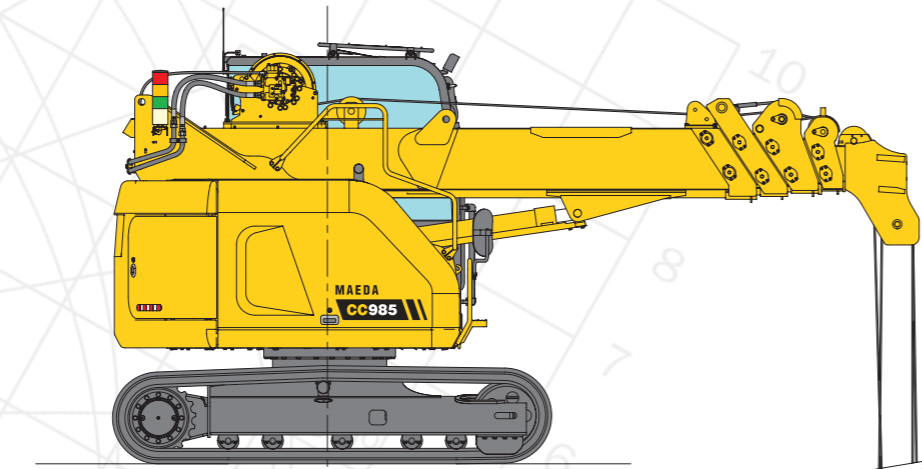
www.kranlyft.com

The latest version the CC985 crawler crane has many improved features, such as a new engine, new wider cab and an improved moment limiter. With a 16.5m working height, new 7" multi function monitor and a massive 2000kg pick and carry capacity, this crane offers improved features coupled with great lifting duties.

The optional 1500kg hydraulic 2-section Fly Jib increases maximum lifting height to 20.2m.

This model also includes an EU stage IIIB compliant engine to make it more environmentally friendly.

- 4.9 Ton Max Capacity
- 16.5m Max Working Height
20.2m with Optional Fly Jib Attachment
- 2000kg Pick & Carry Duty
- 7 inch Multi Monitor
- Powerful Two Speed Winch with Hydraulic Disc Brake
- Slew Restriction Device
- Hydrostatic Transmission
- 4 Fall / 2 Fall Hook Block
- Tilt Sensor/Alarm
- Rear View Camera
- Automatic Pentagonal 5-Section Boom
- Data Logger
- 2 Year Warranty



This working range chart shows total rated load including boom and jib deflection.

Working radius (m)		Total rated load (kg)									
		4.78m Boom		7.53m Boom		10.28m Boom		13.03m Boom		15.78m Boom	
		Stationary	Pick & Carry	Stationary	Pick & Carry	Stationary	Pick & Carry	Stationary	Pick & Carry	Stationary	Pick & Carry
2.0		4900	2000	4900	2000	2600	1400	2000			
2.1		4900	2000	4630	2000	2600	1400	2000			
2.5		3800	2000	3760	2000	2600	1400	2000			
2.7		3310	1950	3410	1940	2520	1400	2000			
3.0		2900	1670	2980	1700	2310	1360	2000			1400
3.15		2640	1550	2800	1590	2220	1300	2000			1400
3.5		2290	1330	2420	1380	2010	1170	1890			1400
3.67		2130	1230	2270	1290	1920	1120	1800			1400
4.0				2000	1140	1750	1020	1650			1400
4.5				1670	960	1530	890	1450			1320
5.0				1400	810	1340	770	1280			1200
5.5				1180	690	1170	680	1130			1090
6.0				1000	590	1030	590	1010			990
6.42				870	510	910	520	910			920
6.5						890	510	900			900
7.0						780	440	800			820
7.5						670	380	710			750
8.0						580	320	630			680
8.5						490	270	560			610
9.0						410	230	500			560
9.17						390	210	480			540
9.5								440			500
10.0								390			450
10.5								340			400
11.0								300			360
11.5								260			320
11.92								220			280
12.0											280
12.5											240
13.0											210
13.5											200
14.0											200
14.67											200



Dimensions

